



LEFROY BROOKS

1 8 2 8 T R O U T M A N S T R E E T
R I D G E W O O D N E W Y O R K N Y 1 1 3 8 5 U S A
T: +1(718) 302 5292 F: +1(718) 302 4177

K1-2200

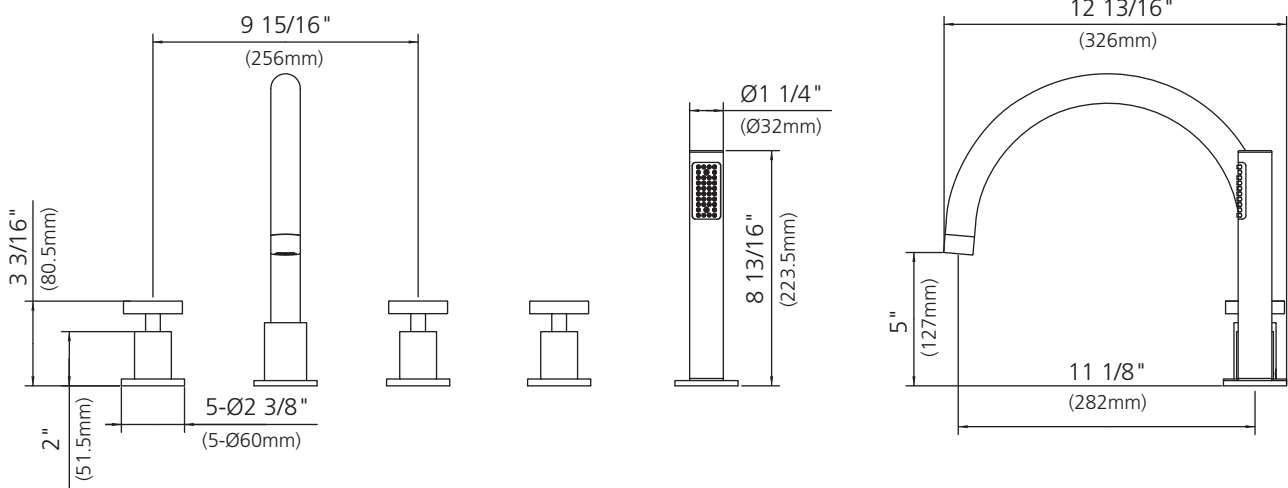
CROSS HANDLE 5-HOLE BATH SET WITH PULL-OUT HAND SHOWER
& DECK DIVERTER - TRIM ONLY, TO SUIT R1-4006 ROUGH

DIMENSIONAL DATA SHEET

DATE: 18 August 2011

No: A66F359

©COPYRIGHT 2009, CHRISTO LEFROY BROOKS. ALL RIGHTS RESERVED.

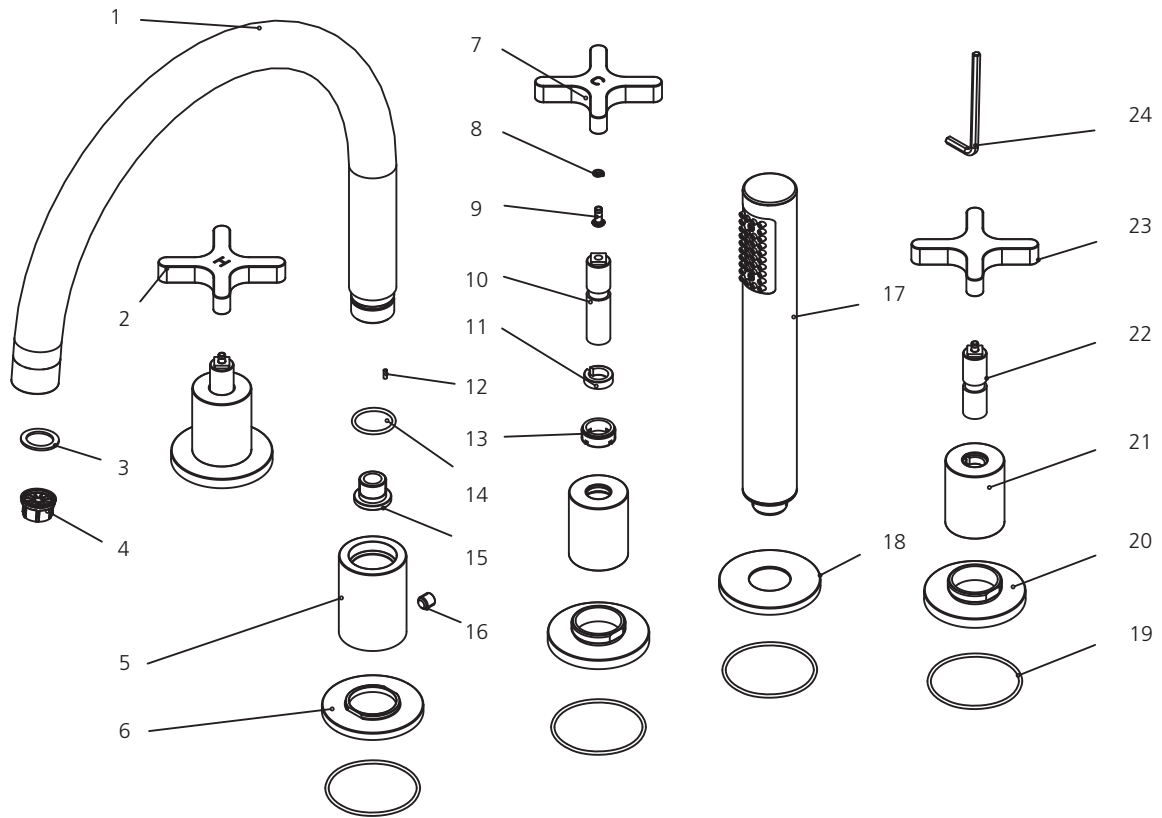


DIMENSIONS IN INCHES & MILLIMETRES

WHILST EVERY EFFORT IS MADE TO ENSURE THE ACCURACY OF THESE DATA SHEETS THEY ARE SUBJECT TO CHANGE WITHOUT NOTICE AS PART OF THE COMPANY'S PRODUCT DEVELOPMENT PROCESS

K1-2200

CROSS HANDLE 5-HOLE BATH SET WITH PULL-OUT HAND SHOWER
& DECK DIVERTER - TRIM ONLY, TO SUIT R1-4006 ROUGH



- | | | | | | |
|---|--------------------------|----|-------------------------|----|--------------------------|
| 1 | Spout assembly (139842) | 10 | Stem extension (110005) | 19 | O-ring (004640N) |
| 2 | Handle (H) (069688H0) | 11 | Clip (012242) | 20 | Escutcheon (071033) |
| 3 | Oil-seal (010899) | 12 | Pin (003150) | 21 | Canopy (018438) |
| 4 | Aerator insert (114237R) | 13 | Adaptor (057507) | 22 | Stem extension (110006) |
| 5 | Canopy (000889) | 14 | O-ring (004007) | 23 | Diverter handle (069688) |
| 6 | Escutcheon (303454) | 15 | Adaptor (067591) | 24 | Allen key (031011) |
| 7 | Handle (C) (069699C) | 16 | Set screw (292565) | | |
| 8 | Washer (013570) | 17 | Hand shower (S2111104) | | |
| 9 | Screw (008154) | 18 | Escutcheon (071390) | | |

Standards

IAPMO/cUPC Listed
Meets A112.18.1

Please note :

Final achievable flow rate is dependent on the outlets fitted, see relevant outlets (spouts, roses, sprays) for fully assembled product flow rate.